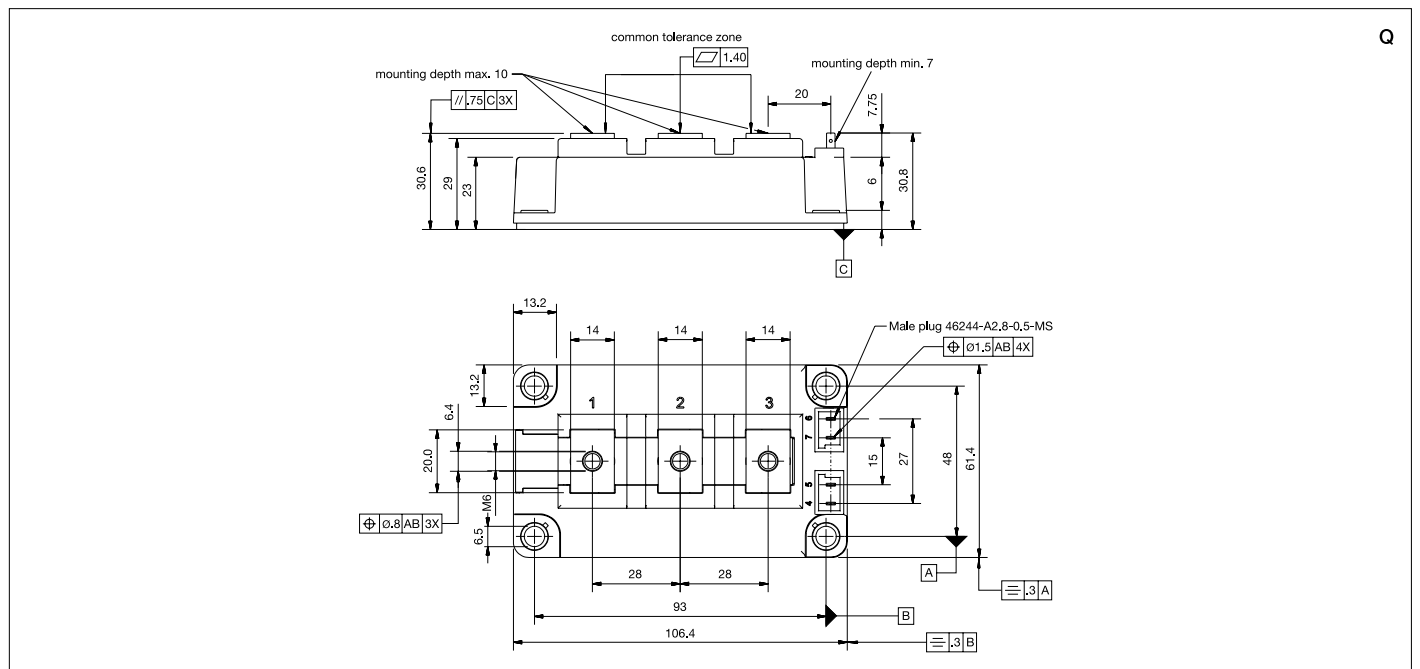




Part number T_{vj} (operational) up to 175°C 1.7 kV	Voltage V_{CES} (V)	Current I_c (A)	Configuration *	V_{CESat} (V) typ. 125°C	V_F (V) typ. 125°C	Housing
5SNG 0150Q170300	1700	2 x 150	(5) - Phase leg IGBT	2.55	1.75	Q
5SNG 0200Q170300	1700	2 x 200	(5) - Phase leg IGBT	2.55	1.75	Q
5SNG 0300Q170300	1700	2 x 300	(5) - Phase leg IGBT	2.55	1.75	Q

Please refer to page 73 for part numbering structure.

* Configurations on page 24



Dimensions in mm