



Standard recovery diodes

Part number	V_{RSM}	V_{RRM}	I_{FAVM}	I_{FSM}	V_{T0}	r_T	T_{VJM}	R_{thJC}	R_{thCH}	F_m	Housing
				10ms	T_{VJM}						
	V	V	A	kA	V						
5SDD 70H2000	2000	2000	7030	65.0	0.861	0.046	190	8.0	2.5	50	H2
5SDD 65H2400	2400	2400	6520	59.0	0.870	0.057	190	8.0	2.5	50	H2
5SDD 51L2800	2800	2000	5380	65.0	0.770	0.082	175	8.0	3.0	70	L1
5SDD 60N2800	2800	2000	6830	87.0	0.800	0.050	160	5.7	1.0	90	N
5SDD 60Q2800	2800	2000	7385	87.0	0.800	0.050	160	5.0	1.0	90	Q
5SDD 11T2800	2800	2800	1285	15.0	0.933	0.242	160	32.0	8.0	10	T1
5SDD 11D2800	2800	2800	1285	15.0	0.933	0.242	160	32.0	8.0	10	D
5SDD 24F2800	2800	2800	2600	30.0	0.906	0.135	160	15.0	4.0	22	F
5SDD 48H3200	3200	3200	4710	61.0	0.992	0.067	160	8.0	2.5	50	H2
5SDD 54N4000	4000	3600	5200	85.0	0.800	0.086	150	5.7	1.0	90	N
5SDD 40H4000	4000	4000	3847	46.0	0.900	0.133	160	8.0	2.5	50	H2
5SDD 08D5000	5000	5000	1028	12.0	0.894	0.487	160	32.0	8.0	10	D
5SDD 08T5000	5000	5000	1028	12.0	0.894	0.487	160	32.0	8.0	10	T1
5SDD 20F5000	5000	5000	1978	24.0	0.940	0.284	160	15.0	4.0	22	F
5SDD 38H5000	5000	5000	3814	45.0	0.903	0.136	160	8.0	2.5	50	H2
5SDD 36K5000	5000	5000	3638	45.0	0.903	0.136	160	9.2	2.5	50	K
5SDD 33L5500	5500	5000	3480	46.0	0.940	0.147	150	7.0	1.5	70	L1
5SDD 50N5500	5500	5000	4570	73.0	0.800	0.107	150	5.7	1.0	90	N
5SDD 06D6000	6000	6000	662	10.5	1.066	0.778	150	42.0	8.0	11	D
5SDD 10F6000	6000	6000	1363	17.5	1.015	0.407	150	20.0	5.0	22	F
5SDD 14F6000	6000	6000	1363	17.5	1.015	0.407	150	20.0	5.0	22	F
5SDD 31H6000	6000	6000	3246	40.0	0.894	0.166	150	8.0	2.5	50	H2
5SDD 50N6000	6000	6000	4210	71.2	0.800	0.134	150	5.7	1.0	90	N New

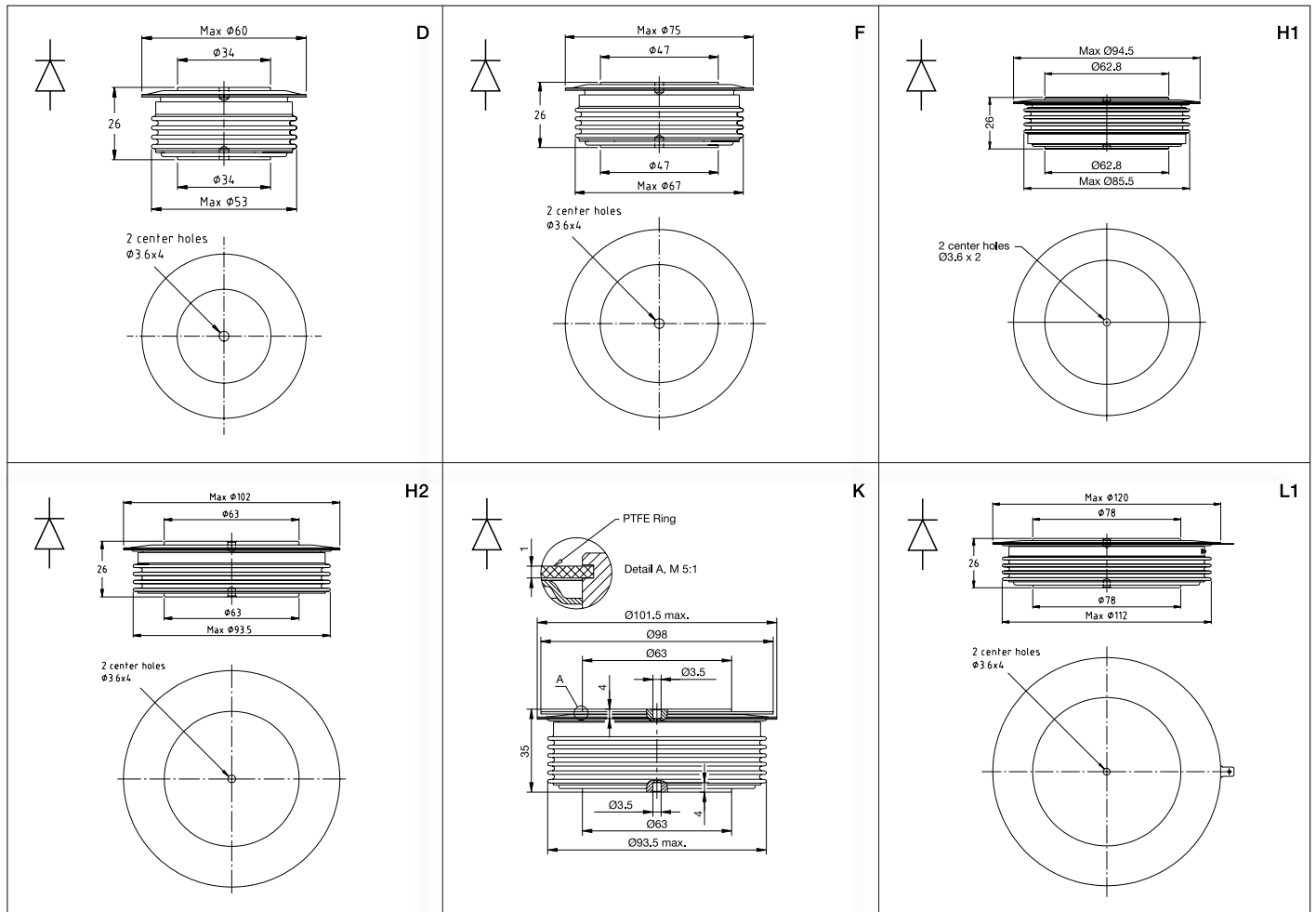
Drawings see page 36f.

Please refer to page 75 for part numbering structure.

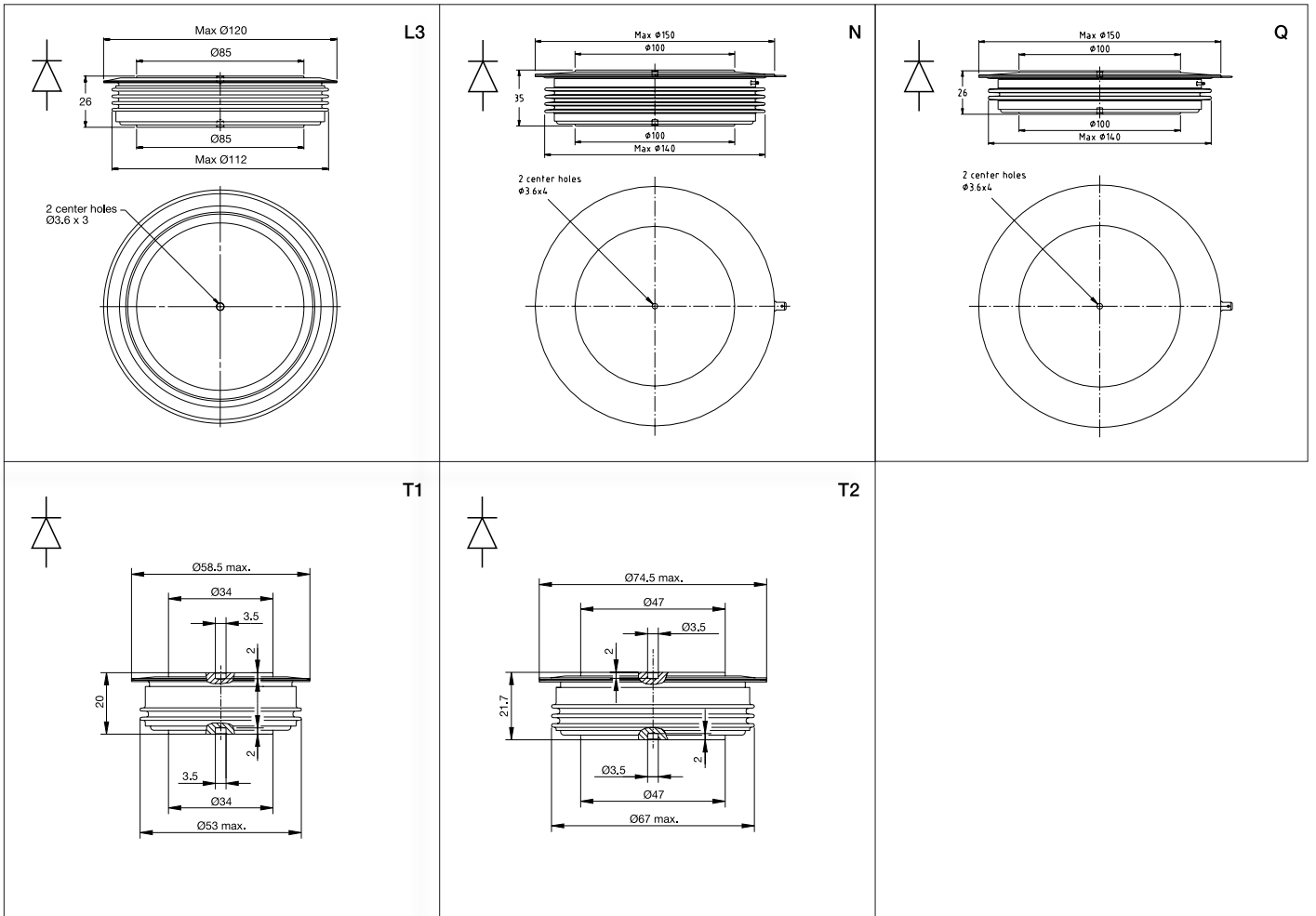
Avalanche diodes

Part number	V_{RRM}	I_{FAVM}	I_{FSM}	V_{F0}	r_F	P_{RSM}	T_{VJM}	R_{thJC}	R_{thCH}	F_m	Housing
		$T_C = 85^\circ\text{C}$	10ms	T_{VJM}		20 μs					
	V	A	kA	V	m Ω	kW	$^\circ\text{C}$	K/kW	K/kW	kN	
5SDA 11D1702	1700	1310	15.0	0.74	0.25	50	160	40	10	11	D
5SDA 27F2002	2000	2700	31.0	0.79	0.09	100	160	20	5	22	F
5SDA 10D2303	2300	1140	13.5	0.83	0.30	50	160	40	10	11	D
5SDA 24F2303	2300	2350	29.0	0.84	0.13	75	160	20	5	22	F
5SDA 09D2604	2600	1020	11.5	0.87	0.39	50	160	40	10	11	D
5SDA 08D3205	3200	910	9.2	0.93	0.52	50	160	40	10	11	D
5SDA 21F3204	3200	2110	26.0	0.89	0.17	75	160	20	5	22	F
5SDA 07D3806	3800	790	7.6	1.01	0.72	50	160	40	10	11	D
5SDA 16F3806	3800	1620	20.5	1.03	0.32	50	160	20	5	22	F
5SDA 06D5007	5000	690	7.0	1.10	1.01	50	160	40	10	11	D
5SDA 14F5007	5000	1410	17.5	1.13	0.44	50	160	20	5	22	F

Please refer to page 75 for part numbering structure.



Dimensions in mm



Dimensions in mm