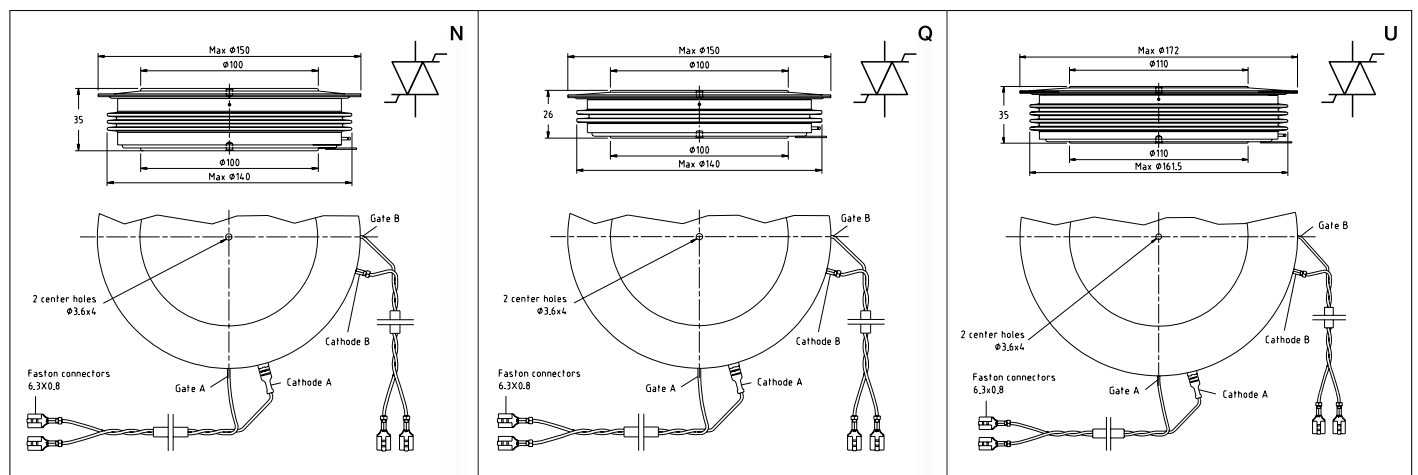




Part number	V_{RM}	V_{RMS}^*	I_{TAVM}	I_{TSM}	V_{T0}	r_T	T_{VJM}	R_{thJC}	R_{thCH}	F_m	Housing
	T_{VJM}	$T_C = 70^\circ C$	$T_C = 70^\circ C$	10ms	T_{VJM}						
	V	A	A	kA	V	m Ω	$^\circ C$	K/kW	K/kW	kN	
5STB 24N2800	2800	5400	2430	43.0	0.85	0.160	125	11.4	2.0	90	N
5STB 24Q2800	2800	5840	2630	43.0	0.85	0.160	125	10.0	2.0	90	Q
5STB 18N4200	4200	4260	1920	32.0	0.96	0.285	125	11.4	2.0	90	N
5STB 17N5200	5200	4000	1800	29.0	1.02	0.320	125	11.4	2.0	90	N
5STB 25U5200	5200	4400	1980	42.0	1.06	0.219	110	8.5	1.6	135	U
5STB 13N6500	6500	3120	1405	22.0	1.20	0.600	125	11.4	2.0	90	N
5STB 18U6500	6500	3510	1580	29.7	1.20	0.458	110	8.5	1.6	135	U

* AC full-wave

Please refer to page 74 for part numbering structure.



Dimensions in mm