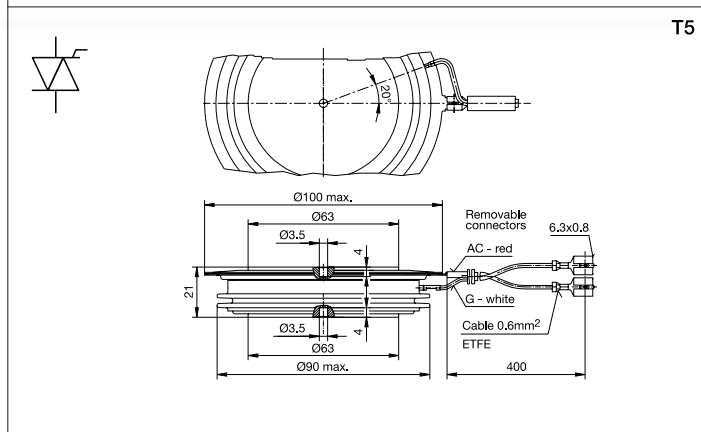
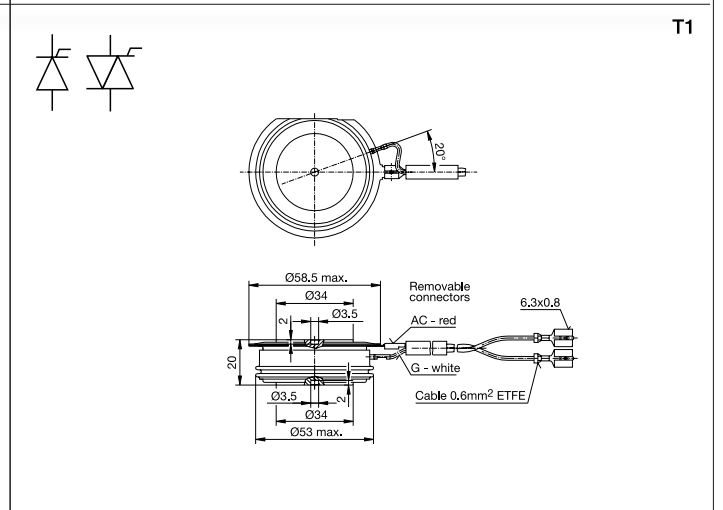
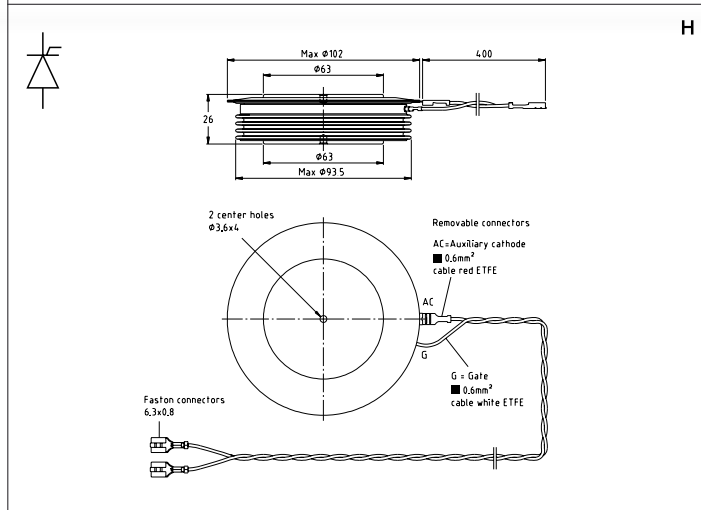
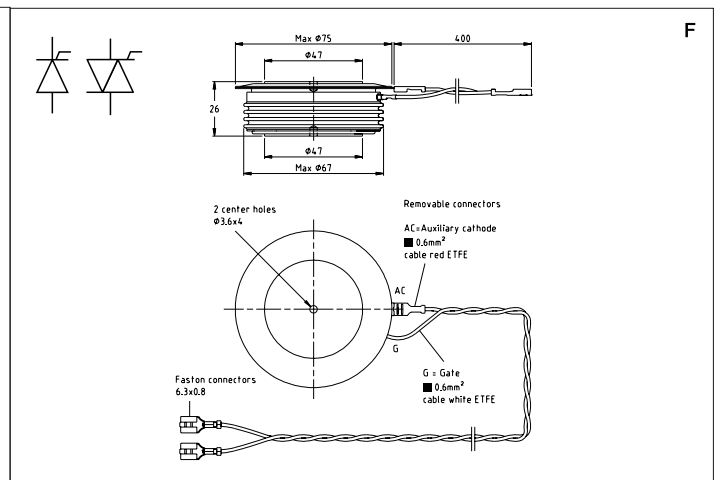
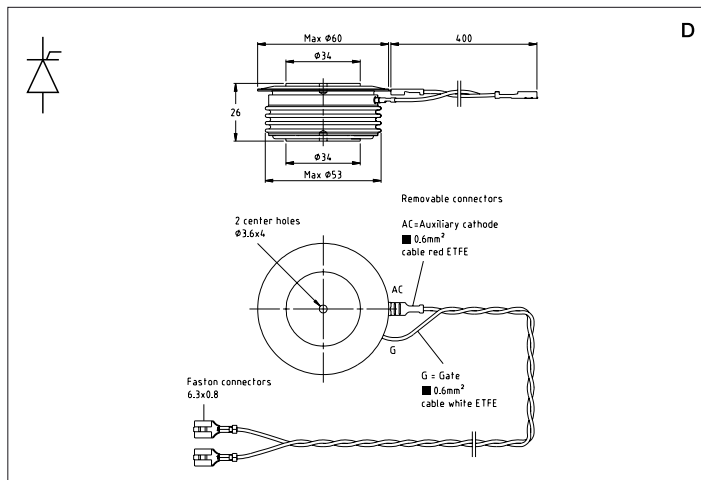




### Reverse conducting fast thyristors

Part number	$V_{DRM}$	$I_{TAVM}/I_{FAVM}$	$I_{TSM}/I_{FSM}$	$V_{T0}/V_{F0}$	$r_T/r_F$	$t_q$	$T_{VJM}$	$R_{thJC}$	$R_{thCH}$	$F_m$	Housing
		$T_c = 70^\circ\text{C}$	10ms	$T_{VJM}$		$T_{VJM}$					
	V	A	kA	V	m $\Omega$	$\mu\text{s}$	$^\circ\text{C}$	K/kW	K/kW	kN	
5STR 03T2040 FST	2000	360	5.0	1.55	1.010	40.0	125	55	10	10	T1
Diode part		223	3.5	1.34	2.100	4.0	125	88	-	-	
5STR 10T2520 FST	2500	857	14.0	2.04	0.321	20.0	125	20	3	30	T5
Diode part		388	6.0	1.49	1.066	4.0	125	50	-	-	

Please refer to page 74 for part numbering structure.



Dimensions in mm