

General characteristics

- Input current 0...20 mA or 4...20 mA
- Sensors supply in two wires technique: 20 V DC stabilized, 20 mA max., protected against short circuit.
- Measure and retransmission or an analog insulated output, current output 0...20 mA or 4...20 mA.
- Indication on the front if there is power supply.
- Insulation 3 wires: 1500 V AC.

Technical data

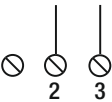
Power	9...40 V DC, 19...28 V AC, 50...60 Hz, max. 2.5 W		
Input	Current: 0...20 mA or 4...20 mA, input impedance 20 Ω		
Output	Current: 0...20 mA or 4...20 mA, max. loop impedance 600 Ω		
Environmental conditions	Temperature: 0...50 °C, humidity min. 30%, max. 90% at 40 °C not condensing (see also section "Installation instruction")		
Errors referred to input's measure range	Calibration 0.5%	Thermal coefficient 0.02% / °C	Linearity 0.05%
Inputs protection	Current 100 mA, continuative		
Protection output / power supply	Against pulses overvoltages 400 W/ms		
Standards:	Complying equipments with prescriptions: EN 50081-2 (electromagnetic compability, industrial environnement) EN 50082-2 (electromagnetic immunity, industrial environnement)		



Electrical connections

Power

9 - 40 VDC
19 - 28 VAC

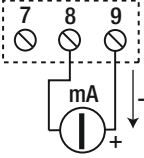


Power voltage must be in a range from 9 to 40 V DC (indifferent polarity) from 19 to 28 V AC; see also section "Installation instructions".

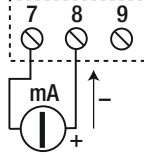
Upper limits must not be exceeded, if it happen there could be damages for module.

It is necessary to protect power source from possible modules failure by fuse correctly dimentioned.

Input

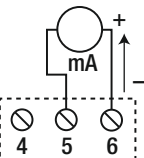


Active input
 Connection to be used with transducers 2 wires technology.
 Transducer is directly powered by module 20 V DC stabilized voltage, 20 mA max., protected against short circuit.

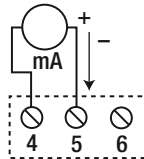


Passive input
 Connection to be used if input current is given from external (loop power supply is given from external).

Output



Active output
 Connection to be used when output loop is to be directly feeded from module.
 Loop power supply given by modules is protected against short circuit. Max. load resistance 600 Ω.



Passive output
 Connection to be used if current loops power supply is given from external.

Installation instructions

The module is designed to be mounted on a DIN 46277 rail, in vertical position.
 To obtain an optimal working and duration, it is necessary to assure an adequate ventilation to modules, avoiding to place raceways or other objects that can close abat-vents
 Avoid to mount modules over deviced that generate heat; we suggest to mount devices in the lower side of the panel.

Severe operating conditions

Severe operating conditions are as follows:

- High power voltage (> 30 V DC / > 26 V AC)
- Input sensor feeded
- Use of output in impressed current

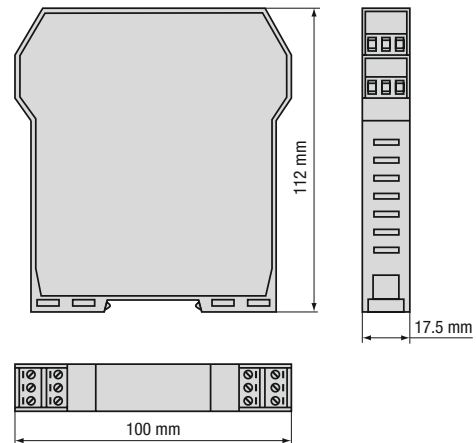
When modules are put side by side its possible that it is **necessary to separate them at least 5 mm** in the following cases:


- Upper board temperature higher than 45 °C and at least one of the heavy working conditions verified.
- Upper board temperature higher than 35 °C and at least two of the heavy working temperature verified.

Electrical connections

We recommand to use shielded cables to do signals connection; monitor must be connected to a preferential ground for devices. Besides it is a good rool avoid to pass wires near power installation cables like inverters, motors, induction furnaces etc..

Dimensions





Disposal of Electrical & Electronic Equipment (applicable throughout the European Union and other European countries with separate collection programs).

This symbol found on your product or on its packaging, indicates that this product should not be treated as household waste when you wish to dispose of it. Instead, it should be handed over to an applicable collection point for the recycling of electrical and electronic equipment. By ensuring this product is disposed of correctly, you will help prevent potential negative consequences to the environment and human health, which could otherwise be caused by inappropriate disposal of this product. The recycling of materials will help to conserve natural resources. For more detailed information about the recycling of this product, please contact your local city office, waste disposal service or the retail store where you purchased this product.

Camille Bauer Metrawatt AG
 Aargauerstrasse 7
 CH-5610 Wohlen/Schweiz
 Tel. +41 56 618 21 11
 Fax +41 56 618 21 21
 info@cbmag.com
 www.camillebauer.com

